

RF TRANSFORMER

FEATURES

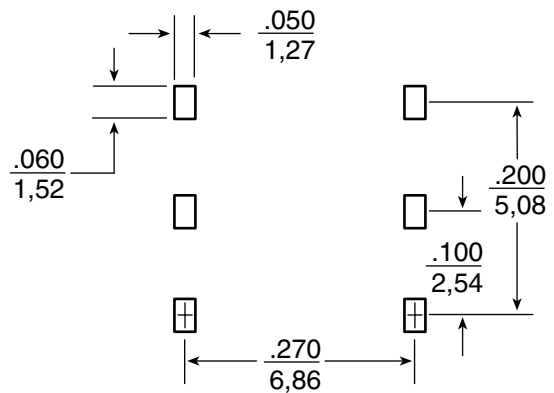
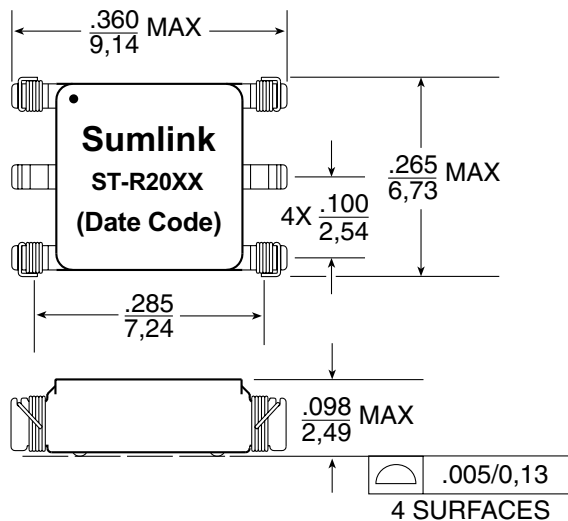
- Low Profile Transformer for Wideband RF Applications
- Miniature surface mount package
- Under .098" tall; meets PCMCIA requirements
- Excellent insertion loss



Electrical Specifications @ 25°C — Operating Temperature -40°C to +85°C

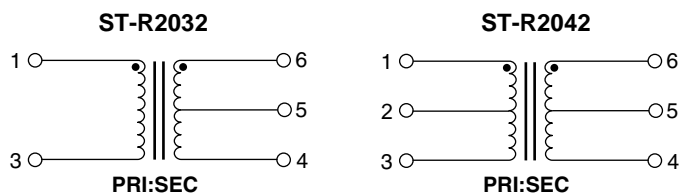
Part Number	Impedance Ratio Pri:Sec (±2%)	Turns Ratio Pri:Sec (±2%)	Bandwidth (MHz TYP)				Insertion Loss @ Midband (dB)
			3 dB	2 dB	1 dB	0.5 dB	
ST-R2032	1:4CT	1:2CT	—	—	—	5-165	0.6
ST-R2042	1CT:1CT	1CT:1CT	0.3-300	0.4-200	0.5-90	—	0.6 MAX

Mechanical



SUGGESTED PAD LAYOUT

Schematic



Dimensions: $\frac{\text{Inches}}{\text{mm}}$
 Unless otherwise specified, all tolerances are $\pm \frac{.010}{0.25}$