

10/100BASE-T DUAL PORT THROUGH HOLE TRANSFORMER

FEATURES

- Compliant with IEEE 802.3u and ANSI X3.263 standards including 350 μ H OCL with 8 mA bias
- Symmetrical TX and RX channels for Auto MDI/MDIX capability
- Isolation Voltage: 1500 Vrms

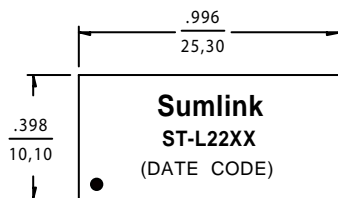


Electrical Specifications @ 25°C — Operating Temperature 0°C to 70°C

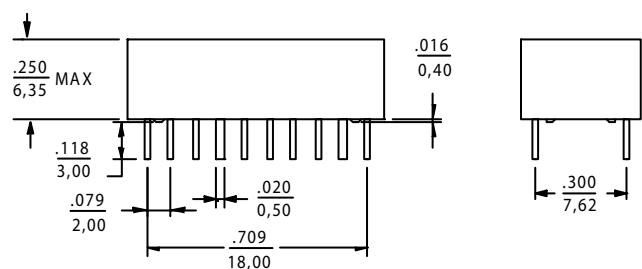
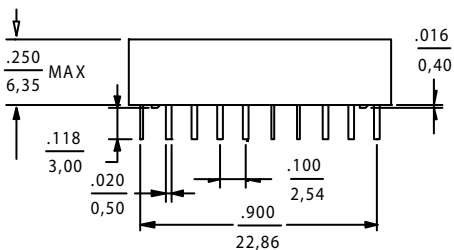
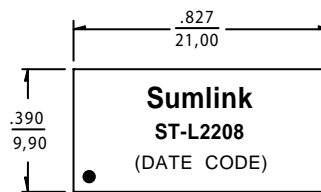
Part Number	Turns Ratio (5%)		Insertion Loss (dB MAX)	Return Loss (dB MIN @100 Ω)				Crosstalk (dB TYP)	Differential Common Mode Rejection (dB MIN)	Mech.
	Transmit	Receive		0.3-100 MHz	0.3-30 MHz	30-60 MHz	60-80 MHz			
ST-L2201	1CT:1CT	1CT:1CT	-1.15	-18	-14	-12	-38	-40	DIL1	
ST-L2202	1CT:1CT	1CT:1CT	-1.15	-18	-14	-12	-38	-40	DIL1	
ST-L2203	1CT:1CT	1CT:1CT	-1.15	-18	-14	-12	-38	-40	DIL1	
ST-L2204	1CT:1CT	1CT:1CT	-1.15	-18	-14	-12	-38	-40	DIL1	
ST-L2205	1CT:1CT	1CT:1CT	-1.15	-18	-14	-12	-38	-40	DIL1	
ST-L2206	1CT:1CT	1CT:1CT	-1.15	-18	-14	-12	-38	-40	DIL1	
ST-L2207	1CT:1CT	1CT:1CT	-1.15	-18	-14	-12	-38	-40	DIL1	
ST-L2208	1CT:1CT	1CT:1CT	-1.15	-18	-14	-12	-38	-40	DIL2	
ST-L2209	1CT:1CT	1CT:1CT	-1.1	-18	-14	-12	-35	-40	DIL1	
ST-L2210	1CT:1CT	1CT:1CT	-1.1	-18	-14	-12	-38	-40	DIL1	

Mechanicals

DIL1



DIL2



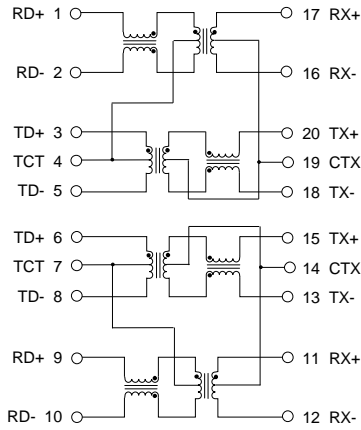
Dimensions: $\frac{\text{Inches}}{\text{mm}}$

Unless otherwise specified, all tolerances are $\pm \frac{.010}{0,25}$

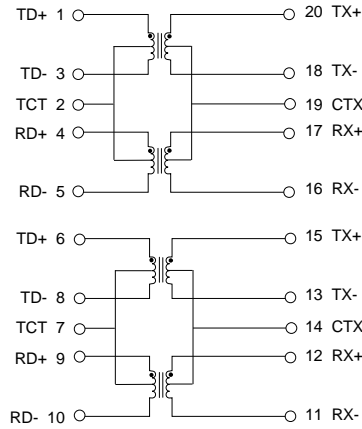
10/100BASE-T DUAL PORT THROUGH HOLE TRANSFORMER

Schematics

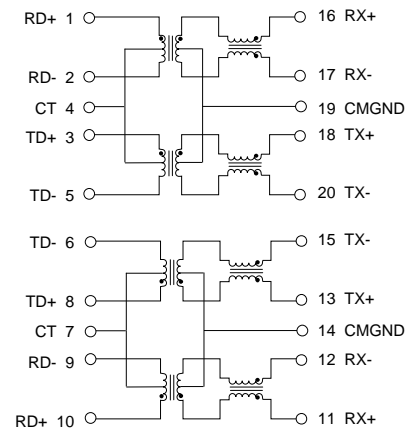
ST-L2201



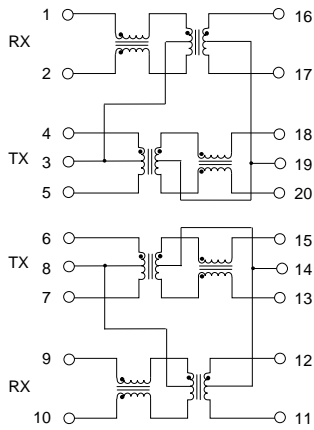
ST-L2202



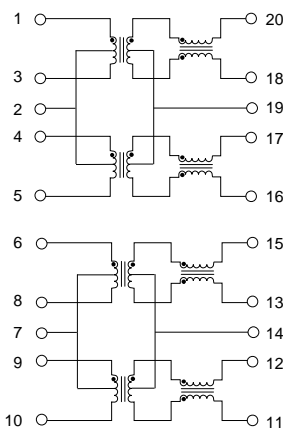
ST-L2203



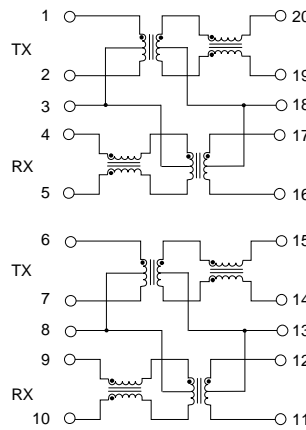
ST-L2204



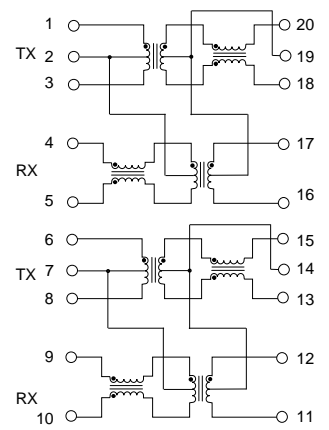
ST-L2205



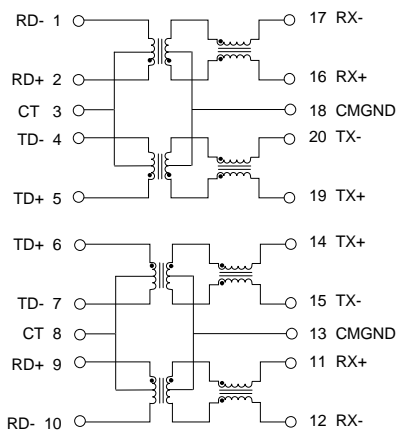
ST-L2206



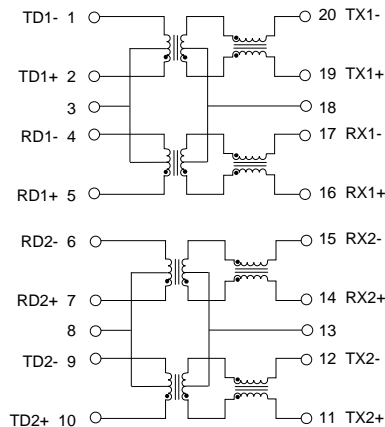
ST-L2207



ST-L2208



ST-L2209



ST-L2210

