

10BASE-T SURFACE MOUNT INTERFACE MODULES

FEATURES

- Fully Integrated for Adapter, Hub, and Motherboard Applications
- Available in enhanced or standard design versions
- Low profile surface mount package
- 235°C peak infrared reflow temperature rating



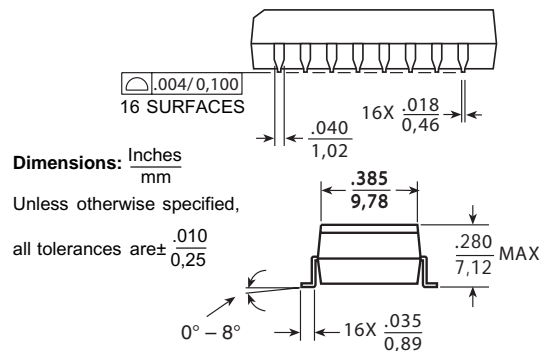
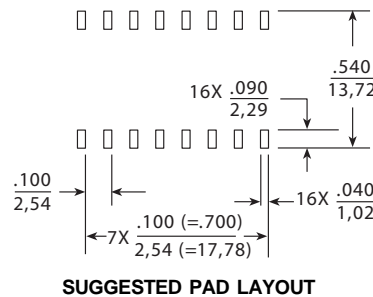
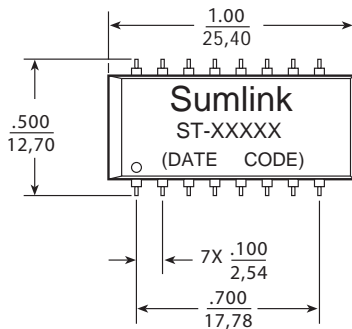
Electrical Specifications @ 25°C — Operating Temperature 0°C to +70°C

Part Number	Insertion Loss to 10 MHz (dB MAX)	Attenuation (XMIT) (dB MIN)			Return Loss 5 to 10MHz (dB MIN)		Crosstalk (dB MIN)	Common Mode Rejection (XMIT) (db MIN)					Hi-Pot (VRMS MIN)
		30 MHz	40 MHz	100 MHz	100 Ω	98 ±13 Ω		5-10 MHz	5 MHz	10 MHz	50 MHz	100 MHz	
ST-88025	-6.0	-35	-35	-35	-18	-15	-35	-60	-60	-55	-50	-45	1500
ST-88026	-1.0	-30	-35	-35	-18	-15	-35	-60	-60	-55	-50	-45	1500
ST-88027	-6.5	-35	-35	-35	-18	-15	-35	-60	-60	-55	-50	-45	1500

Resistor Values (Ω)

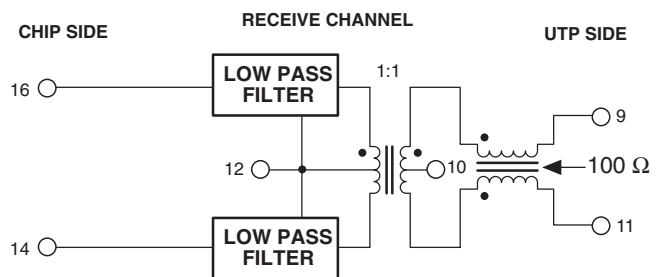
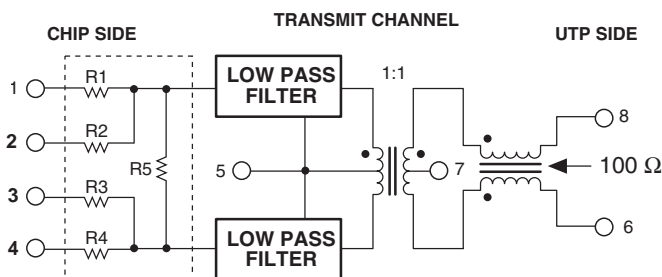
Part Number	IC Manufacturer	R1	R2	R3	R4	R5	R6	R7
ST-88025	AMD	TXD (+) = 61.9	TXP (+) = 422	TXD (-) = 61.9	TXP (-) = 422	1.2k	RX (+) = 49.9	RX (-) = 49.9
ST-88026	Various	N/A	N/A	N/A	N/A	N/A	N/A	N/A
ST-88027	National	TXOD (-) = 274	TXO (+) = 66.5	TXO (-) = 66.5	TXOD (+) = 274	806	RX (+) = 49.9	RX (-) = 49.9

Mechanical



Dimensions: Inches / mm
Unless otherwise specified, all tolerances are ± 0,25

Schematics



NOTE: ST-88026 does not contain resistors. They are an external configuration.