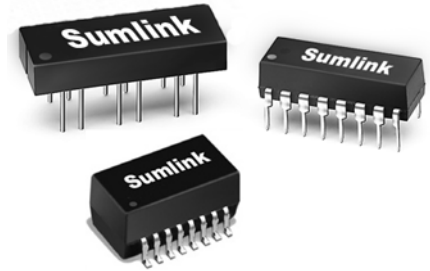


ISOLATION TRANSFORMERS FOR ETHERNET

FEATURES

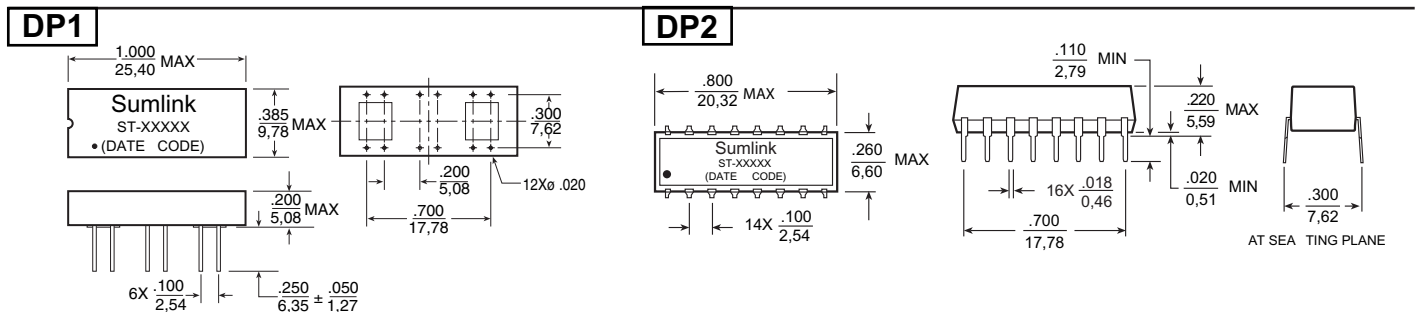
- AUI Transformers
- Low leakage inductance and coupling capacitance for faster rise times
- Small form factor, 50 mil lead spacing
- Through hole, auto-insertable,



Electrical Specifications @ 25°C — Operating Temperature 0°C to 70°C

Part Number	Turns Ratio (±5%)	Primary Pins	Primary Sine Wave OCL (µH ±20%)	Primary ET-Constant (V-µs MIN)	Rise Time (ns MAX)	Interwinding Capacitance C _{ww} (pF MAX)	Leakage Inductance L _L (µH MAX)	DCR (Ω MAX)	Mech.	Hipot (Vrms)
ST-090SM	1:1	1-2/4-5/7-8	75	2.4	3.0	10	0.20	0.20	SMT	2000
ST-091SM	1:1	1-2/4-5/7-8	100	2.4	3.0	10	0.20	0.30	SMT	2000
ST-108SM	1:1	1-2/4-5/7-8	350	2.5	3.5	16	0.30	0.35	SMT	2000
ST-F6002	1:1	1-2/4-5/7-8	40 (MIN)	2.1	3.0	8	0.20	0.25	SMT	2000
ST-85723	1:1	1-2/4-5/7-8	75	1.8	3.0	8	0.20	0.30	SMT	2000
ST-85727	1:1	1-2/4-5/7-8	150	1.2	3.0	12	0.20	0.30	SMT	2000
ST-85728	1:1	1-2/4-5/7-8	100	1.8	3.0	9	0.20	0.30	SMT	2000
ST-84102	1:1	1-2/4-5/7-8	75	2.1	3.0	10	0.20	0.20	DP2	500
ST-84103	1:1	1-2/4-5/7-8	100	2.1	3.0	10	0.20	0.30	DP2	500
ST-84104	1:1	1-2/4-5/7-8	150	2.1	3.5	12	0.20	0.30	DP2	500
ST-84107	1:1	1-2/4-5/7-8	75	2.4	3.5	10	0.25	0.30	DP1	2000
ST-84108	1:1	1-2/4-5/7-8	100	2.1	3.5	10	0.25	0.40	DP1	2000
ST-84109	1:1	1-2/4-5/7-8	150	3.0	3.0	15	0.20	0.45	DP1	2000
ST-84502	1:1	1-2/4-5/7-8	75	2.1	3.0	10	0.20	0.20	DP2	2000
ST-84503	1:1	1-2/4-5/7-8	100	2.1	3.0	10	0.20	0.30	DP2	2000

Mechanicals



Schematics

