

# ADSL LINE TRANSFORMERS

## FEATURES

- Matched to Globespan Virata CPE Café ADSL chipset -DMT Annex A
- Designed to meet IEC60950 supplementary insulation requirements at 250V working voltage
- 1500V Breakdown Isolation between windings

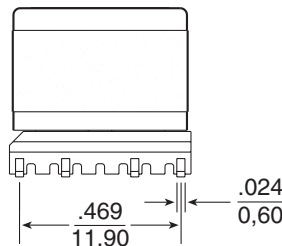
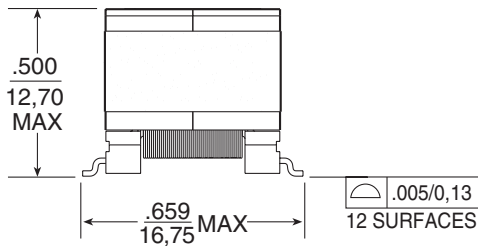
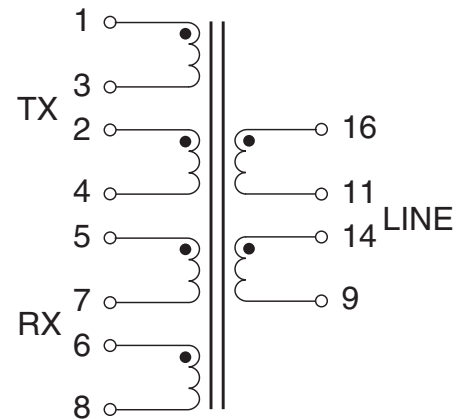
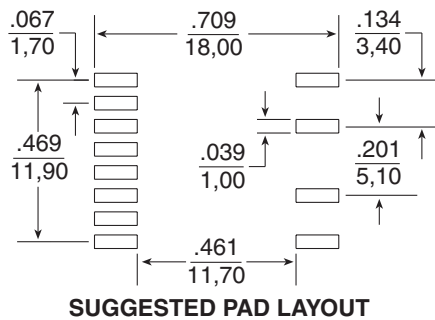
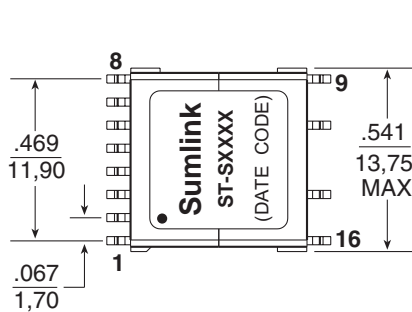


Electrical Specifications @ 25°C — Operating Temperature -40°C to 85°C

Part Number	Turns Ratio		OCL Primary (μH ±6%)	THD @ 25kHz, (dB MAX)	Isolation Voltage (Vrms)
	TX:Line (1-4):(9-16) w/2-3 & 11-14 shorted	RX:Line (5-8):(9-16) w/6-7 & 11-14 shorted			
ST-S2135	1:4	1:2	700	-85	1500

## Mechanical

## Schematic



Dimensions:  $\frac{\text{Inches}}{\text{mm}}$   
 Unless otherwise specified, all tolerances are  $\pm \frac{.010}{0.25}$