

ADSL LINE TRANSFORMER

FEATURES

- Matched to Globespan G24 ADSL+ Chipset with Elantec Line Drivers
- Compact SMD footprint

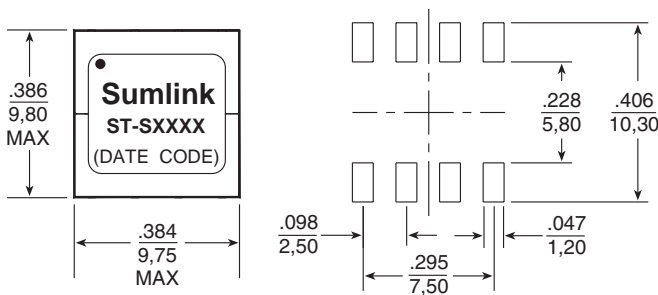


Electrical Specifications @ 25°C — Operating Temperature -40°C to 85°C

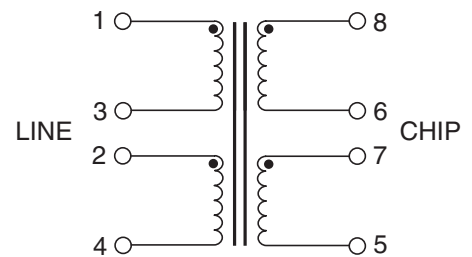
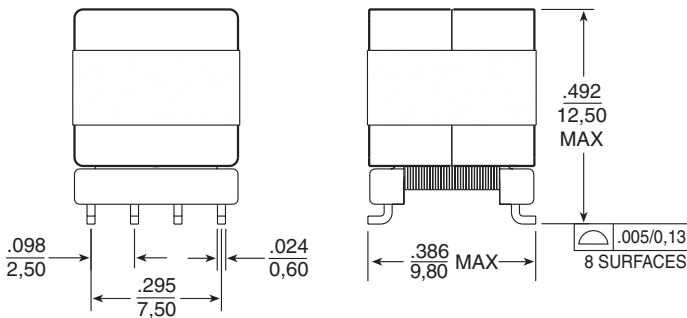
Part Number	Turns Ratio Ratio (Line:Chip)	OCL Primary ($\mu\text{H} \pm 7\%$)	Leakage Inductance ($\mu\text{H} \text{ MAX}$)	Interwinding Capacitance (pF MAX)	Isolation Voltage (Vrms)	THD @ 25kHz, 5Vrms (dB MIN)
ST-S2514	0.95 : 1	750	7.5 - 10.5	20	1500	-80
ST-S2483	0.90 : 1	1000	7.0 - 10.5	15	1500	-78

Mechanical

Schematic



SUGGESTED PAD LAYOUT



Dimensions: $\frac{\text{Inches}}{\text{mm}}$
 Unless otherwise specified, all tolerances are $\pm \frac{.010}{0,25}$